



FOR
MERCEDES SL (R230) A/C+ (10/01 >) / SLR (R199) A/C+ (04/04 >)



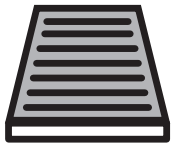
PROTECT

combined with
active carbon



715621

FH438

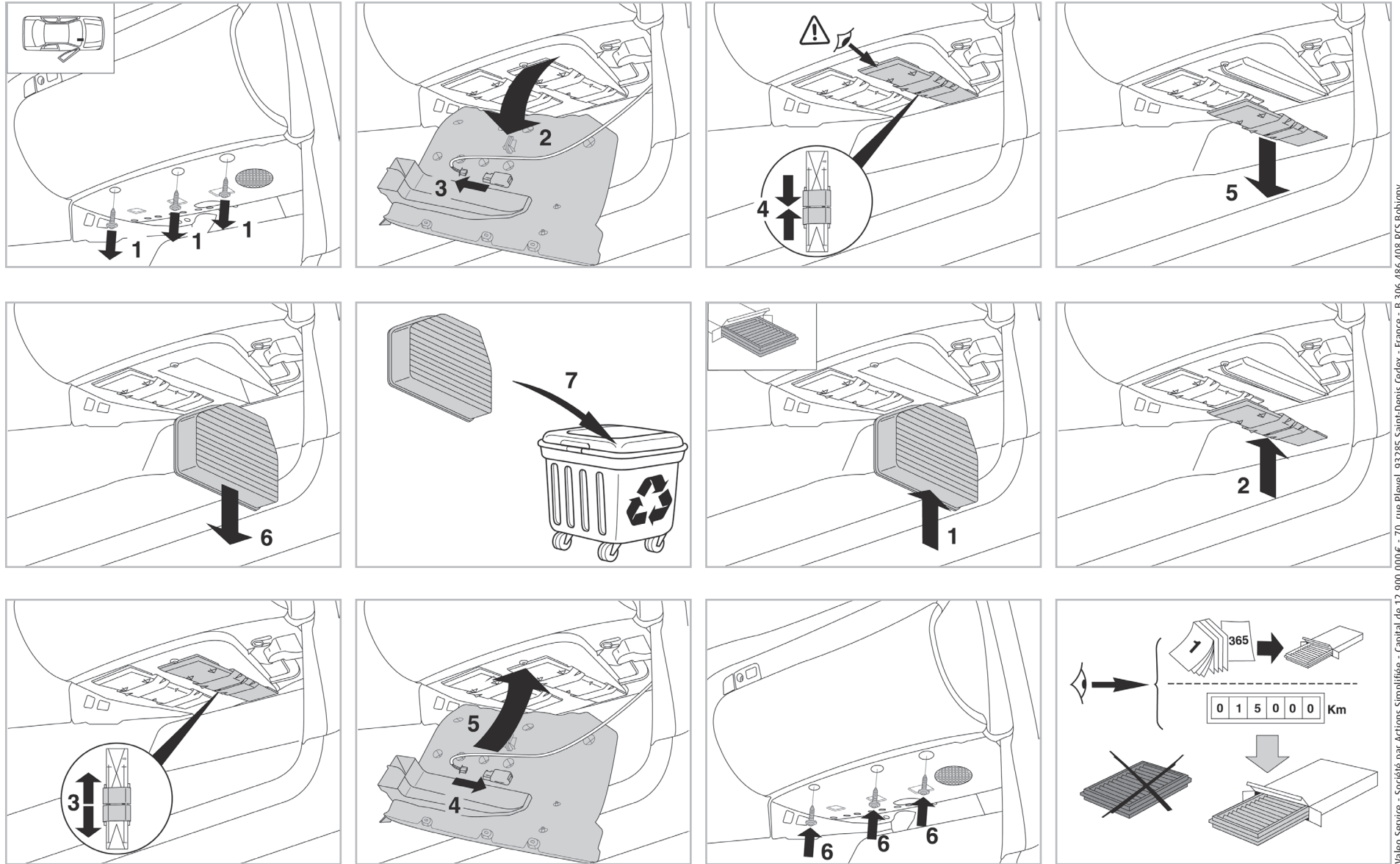


CA

**WANT TO
KNOW MORE?**



www.valeo-techassist.com



Valeo Service - Société par Actions simplifiée - Capital de 12 900 000 € - 70, rue Playel, 93285 Saint-Denis Cedex - France - B 306 486 408 RCS Bobigny